

## F5 Captive Screws

### Flush series

#### Features

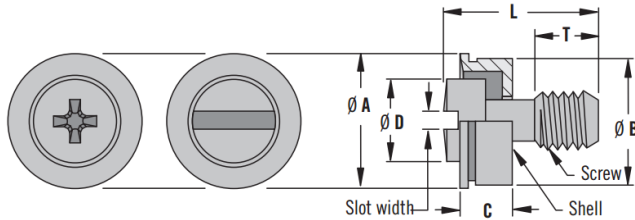
- Flush when fastened

#### Material

- Shell: 303 Stainless steel, passivated
- Screw:
  - Slotted: 303 stainless steel, passivated
  - Phillips: 430 stainless steel, passivated

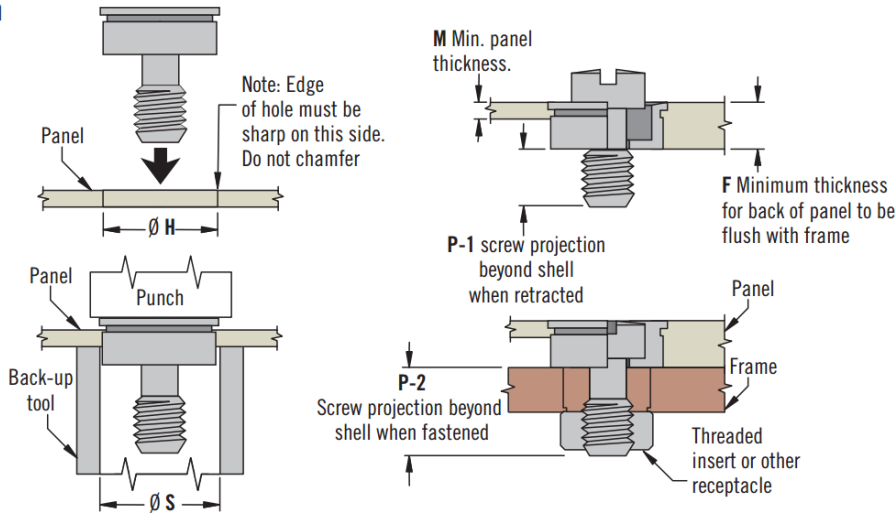
#### Notes

- For use in most aluminium or in low carbon steels that are 1/4 hard or softer
- Screws will float 0.5 total movement
- Shipped assembled



Thread Size	Max. Recommended Tightening Torque
M3/ 4-40	0.6 N·m (5in·lbf)
6-32	1.6 N·m (14in·lbf)
M4/ 8-32	2.8 N·m (25in·lbf)

### Installation



southco®

Recess Style	Thread Size	Screw Dimensions					Slot Width	Screw Length L	Part Number		Screw Projection Beyond Outer Surface of Panel		Installation Dimensions			
		Ø A	Ø B	C	Ø D	T			Metric	Imperial	P-1	P-2	Ø H	M	F	Ø S
Phillips	M4 x 0.7 or UNC 8-32	10.1 (.40)	9.45 (.373)	3.1 (.122)	6.4 (.25)	4.3 (.17)	~	8.6 (.34)	F5-M4-P2	F5-832-P2	4.3 (.17)	5.6 (.22)	9.5 <sup>+0.08</sup> <sub>-0</sub> (.375 <sup>+0.003</sup> <sub>-0</sub> )	1.5 (.060)	3.2 (.125)	9.6 <sup>+0.1</sup> <sub>-0.05</sub> (.379 <sup>+0.004</sup> <sub>-0.002</sub> )
								9.6 (.38)	F5-M4-P4	F5-832-P4		6.6 (.26)				
								10.6 (.42)	F5-M4-P6	F5-832-P6		7.6 (.30)				
								11.6 (.46)	F5-M4-P8	F5-832-P8		8.6 (.34)				
Slotted	M3 x 0.5 or UNC 4-40	7.1 (.28)	6.45 (.254)	1.7 (.067)	4 (.16)	3.8 (.15)	0.9 (.035)	5.8 (.23)	F5-90-402-20	F5-60-402-20	3.8 (.15)	4.1 (.16)	6.5 <sup>+0.08</sup> <sub>-0</sub> (.257 <sup>+0.002</sup> <sub>-0.001</sub> )	1.3 (.050)	1.8 (.070)	6.6 <sup>+0.1</sup> <sub>-0.05</sub> (.260 <sup>+0.004</sup> <sub>-0.002</sub> )
								7.9 (.31)	F5-90-406-20	F5-60-406-20		6.1 (.24)				
	UNC 6-32	8.1 (.32)	7.44 (.293)	2 (.082)	4.8 (.19)	3.8 (.15)	1 (.039)	6.4 (.25)	~	F5-60-602-20	3.8 (.15)	4.3 (.17)	7.5 <sup>+0.08</sup> <sub>-0</sub> (.295 <sup>+0.003</sup> <sub>-0</sub> )	1.4 (.055)	2.2 (.085)	7.6 <sup>+0.1</sup> <sub>-0.05</sub> (.299 <sup>+0.004</sup> <sub>-0.002</sub> )
								8.4 (.33)	~	F5-60-606-20		6.4 (.25)				
								9.4 (.37)	~	F5-60-608-20		7.4 (.29)				
								8.9 (.35)	F5-M40-14	F5-832-14		6.6 (.26)				
								9.9 (.39)	F5-M40-16	F5-832-16		7.6 (.30)				
								10.9 (.43)	F5-M40-18	F5-832-18		8.6 (.34)				
	M4 x 0.7 or UNC 8-32	10.1 (.40)	9.45 (.373)	2.34 (.092)	6.4 (.25)	5.1 (.20)	1.1 (.045)	8.9 (.35)	F5-M40-14	F5-832-14	5.1 (.20)	6.6 (.26)	9.5 <sup>+0.08</sup> <sub>-0</sub> (.375 <sup>+0.003</sup> <sub>-0</sub> )	1.5 (.060)	2.4 (.095)	9.6 <sup>+0.1</sup> <sub>-0.05</sub> (.379 <sup>+0.004</sup> <sub>-0.002</sub> )
								9.9 (.39)	F5-M40-16	F5-832-16		7.6 (.30)				
10.9 (.43)								F5-M40-18	F5-832-18	8.6 (.34)						